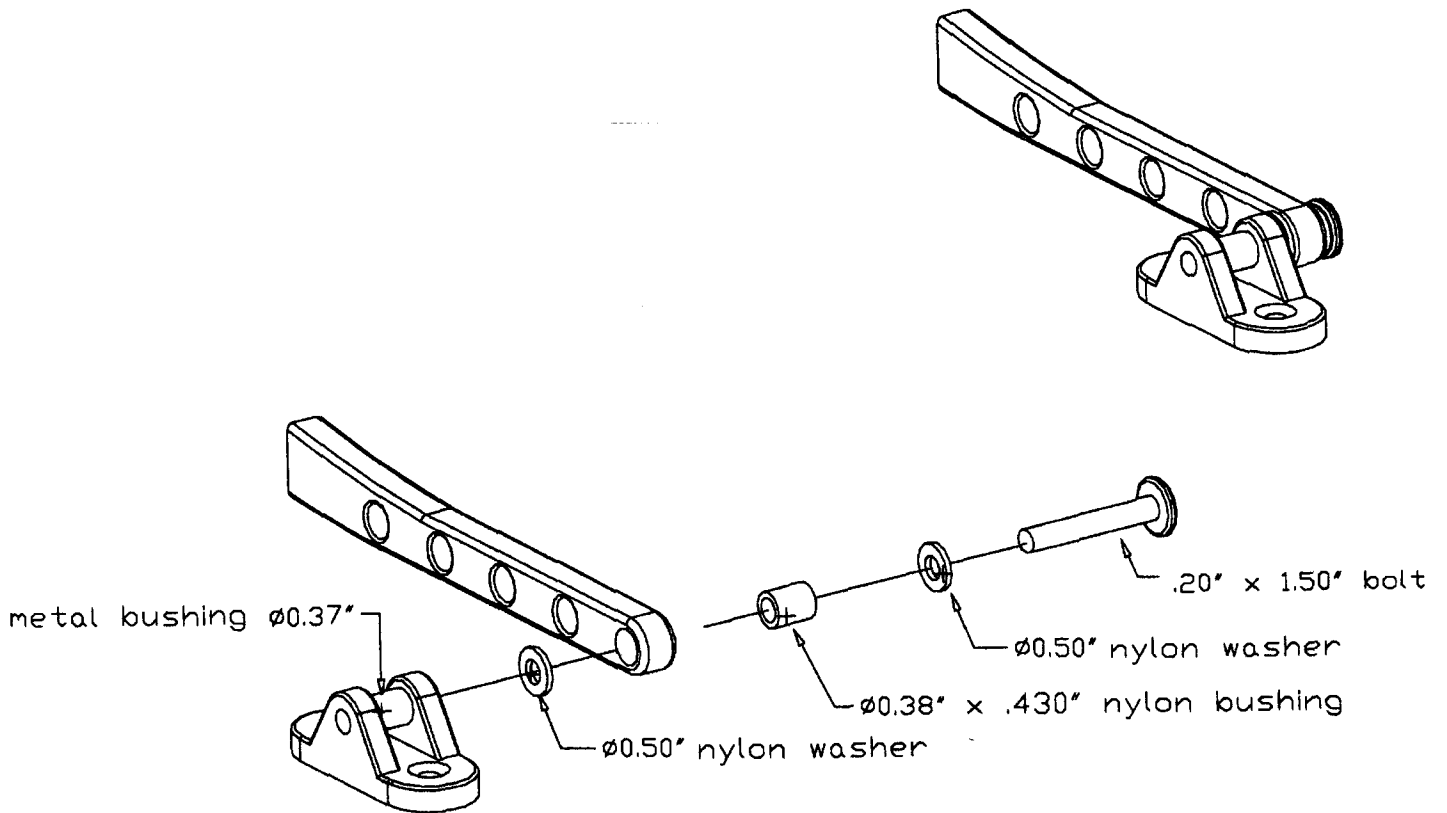


Option #2



Smart Parts